



Cobra

STATIC NEUTRALIZING BLOW-OFF GUN

Simco-Ion's Cobra Static Neutralizing Blow-Off Gun provides a powerful blast of ionized air designed for cleaning and neutralizing large surfaces in rugged industrial environments.

- Reduces costly rework by preventing re-attraction of dust and lint to cleaned surfaces
- Lightweight, durable gun body constructed from high impact plastic
- Ergonomic handle allows operator to regulate airflow
- Easy-to-use hook and hanger

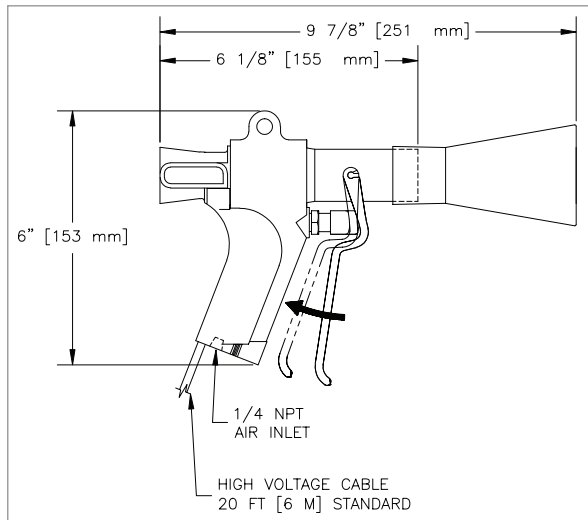
The Cobra Gun uses ionization combined with airflow amplification to produce an air blast that neutralizes static charges to effectively blow away dust and dirt. A unique accessory nozzle is included with the gun to produce a fanshaped air blast for covering large areas like autobody surfaces, plastic sheets, and furniture pieces.

Each Cobra gun is supplied with a standard 20-foot cable for connection to the power supply. A 40-foot cable configuration is also available. Either the G165 or G265 power supply can energize one or two Cobra guns.

Specifications

Operating Voltage	5 kV AC (5 mA Max. Short Circuit Current)
Operating Temperature	110 F (43 C) Maximum
Operating Humidity	70% RH maximum, no dewing permissible
Weight	1.5 lb (Gun w/ 20' cable)
Materials	High Impact Plastic Gun Body Stainless Steel (Type 302) Ionizing Point
Compressed Air Supply Pressure (1/4" NPT Connection)	100 PSIG Maximum Note: Gun body includes OSHA pressure relief feature
Air Consumption	9 SCFM at 30 PSIG 22 SCFM at 100 PSIG
Discharge Time	0.6 seconds at 6", 30 psig (1000V to 100V) 0.5 seconds at 6", 100 psig (5000V to 500V)
Discharge Time (w/accessory nozzle)	0.7 seconds at 6", 30 psig (1000V to 100V) 0.6 seconds at 6", 100 psig (5000V to 500V)

Dimensions



G Power Supply



- Power supply includes ON/OFF switch with neon power indicator light
- Power supply available for 120 volt or 230 volt operation

Typical Applications

Plastics

- Thermoforming
- Plastic sheet fabrication
- Injection molding

Graphic Arts

- Photographic processing
- Prepress production

Finishing

- Auto bodies and boats
- Furniture and appliances
- Fiberglass and composite layup



P/N 5200566 Rev. A
© 2014 Simco-Ion – All rights reserved.
Specifications are subject to change without notice.

Simco-Ion

2257 North Penn Road
Hatfield, PA 19440-1998
Tel: 800.203.3419 (in USA)
Tel: 215.822.6401

customerservice@simco-ion.com
www.simco-ion.com